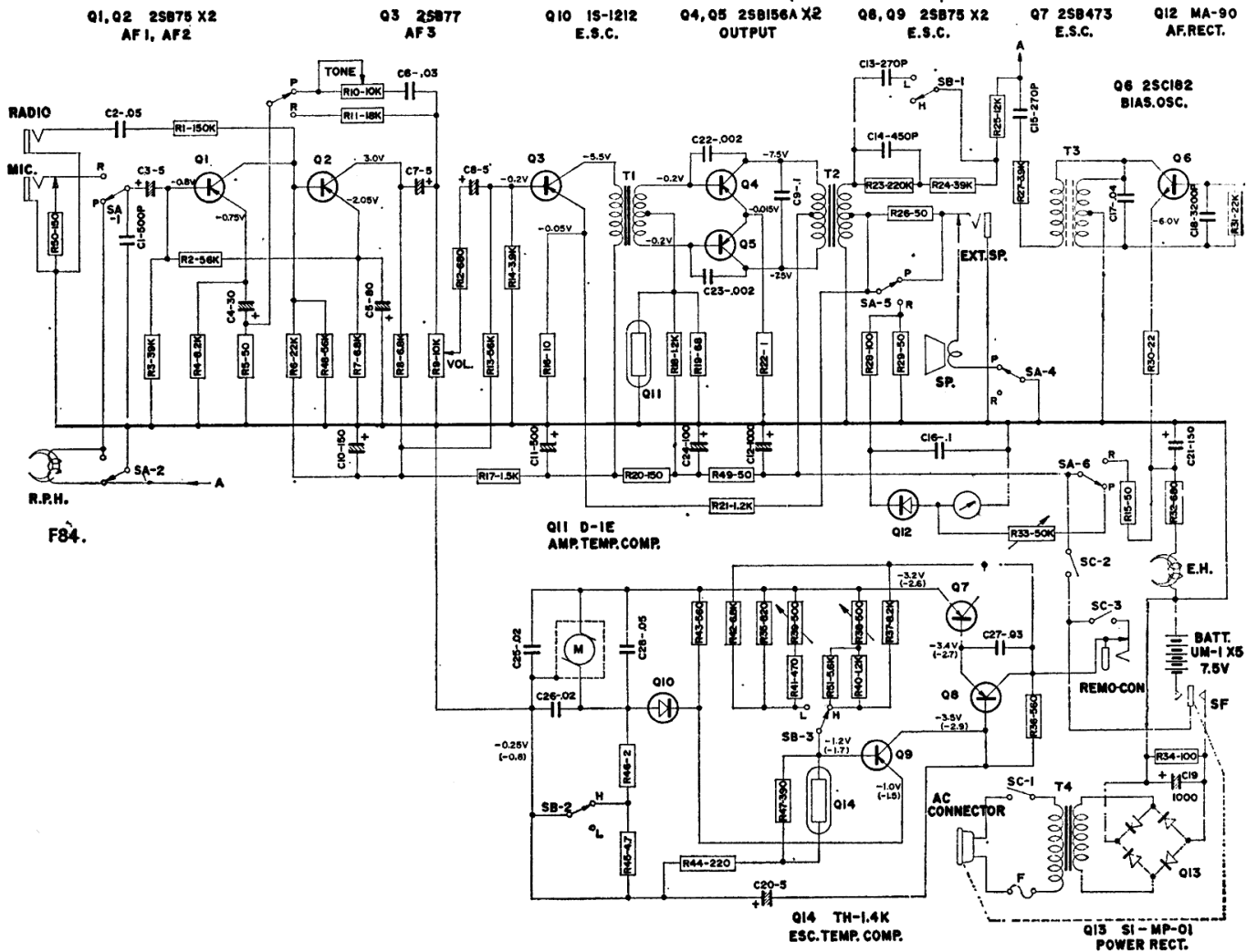


higher than for D.C. operation. Voltage values shown in electronic governor stage are measured at no load for the switch in PLAY position.

Voltages shown in parentheses are for the tape speed in 4.75 cm./sec.

Record bias current across head 25 volts (9.5 cm./sec.), 20 volts (4.75 cm./sec.).

Internal resistance of tester D.C. 20 kΩ/volts.



CIRCUIT DIAGRAM OF STANDARD MODEL SR-250

Semiconductors

Transistor 2SB75 (Q1)	1st A.F. amplifier
Transistor 2SB75 (Q2)	2nd A.F. amplifier
Transistor 2SB77 (Q3)	3rd A.F. amplifier
Transistor 2SB156A (Q4, Q5)	Push-pull power amplifier
Transistor 2SC182 (Q6)	Bias oscillator
Transistor 2SB473 (Q7)	E.S.C. Comp.
Transistor 2SB75 (Q8)	E.S.C. Comp.
Transistor 2SB75 (Q9)	E.S.C. amplifier
Varistor IS1212 (Q10)	E.S.C. S.T. Volt.
Thermistor D-1E (Q11)	Amp. Temp. Comp.
Diode MA-90 (Q12)	A.F. regulator
Diode SI-MP-O1 (Q13)	Power rectifier
Thermistor TH-1.4K (Q14)	E.S.C. Temp. Comp.